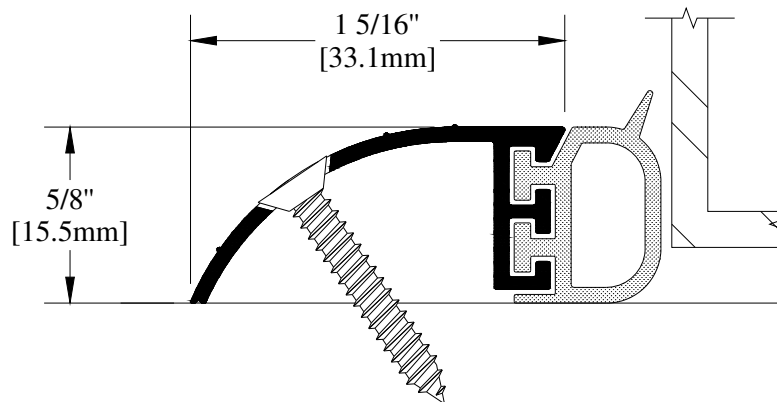


## THRESHOLDS

## STOP STRIPS

REGISTRATIONS:



### Description:

NAME: DS4

MATERIAL: ALUMINIUM ALLOY 6063 T5

GASKETING: VINYL

AVAILABLE FINISH: MILL FINISH ONLY

WIDTH: 1-5/16"

LENGTH: 3', 42'', 4', 5', 6', 7', 8', 9', 10' & 12' CUT ONLY OR CUT, DRILLED AND SCREWS