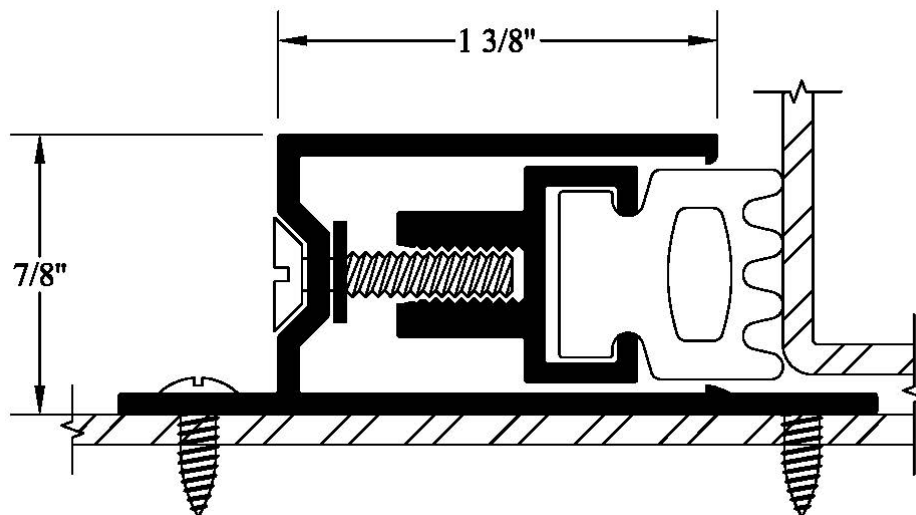


Architectural
UNIQUE

WEATHERSTRIP AND SOUND SEALS - ADJUSTABLE

Votre satisfaction, notre fierté!

REGISTRATIONS:



Description:

NAME: 1700

MATERIAL: ALUMINIUM ALLOY 6063 T5

GASKETING: CLOSE CELL NEOPRENE

AVAILABLE FINISH: CLEAR ANODIZED OR MEDIUM BRONZE

WIDTH: 2-3/8"

LENGTH: MINIMUM 3' & MAXIMUM 12'