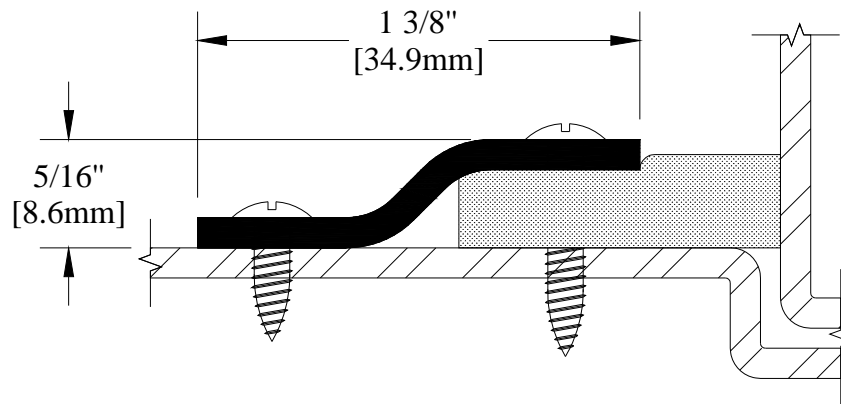


Architectural  
**UNIQUE**

## WEATHERSTRIP AND SOUND SEALS - STAINLESS STEEL

**Votre satisfaction, notre fierté!**

REGISTRATIONS:



### Description:

NAME: 2000SS

MATERIAL: STAINLESS STEEL

GASKETING: CLOSED CELL NEOPRENE

AVAILABLE FINISH: N/A

WIDTH: 1-3/8"

LENGTH: 36", 42", 48", 84" AND 96" ONLY