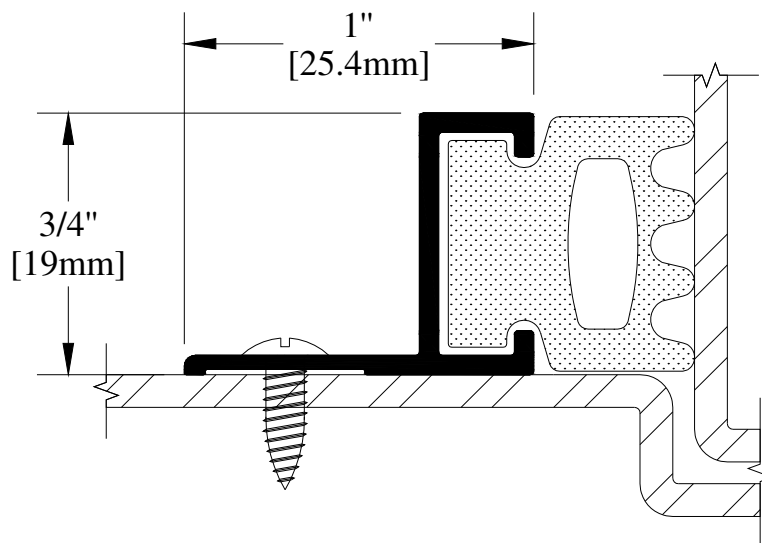


Architectural
UNIQUE

WEATHERSTRIP AND SOUND SEALS

Votre satisfaction, notre fierté!

REGISTRATIONS:



Description:

NAME: 2200

MATERIAL: ALUMINIUM ALLOY 6063 T5

GASKETING: CLOSE CELL NEOPRENE

AVAILABLE FINISH: CLEAR ANODIZE OR MEDIUM BRONZE

WIDTH: 1"

LENGTH: MINIMUM 3' & MAXIMUM 12'